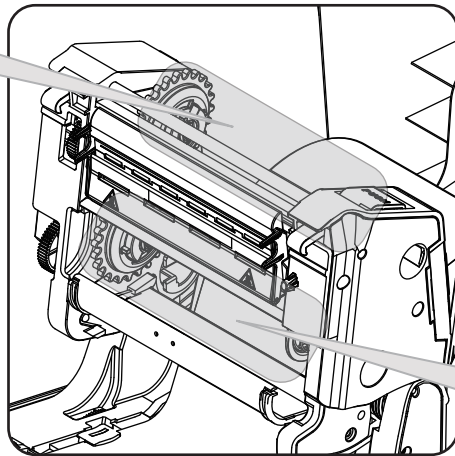
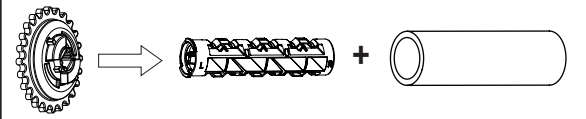
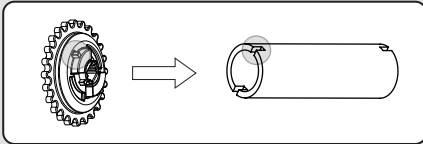
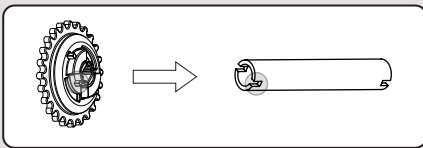
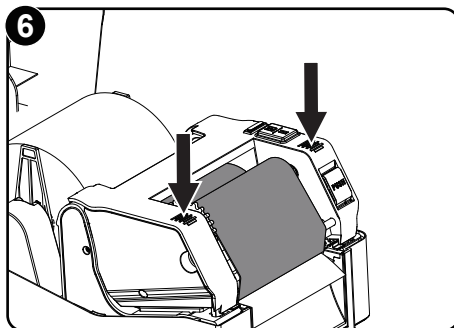
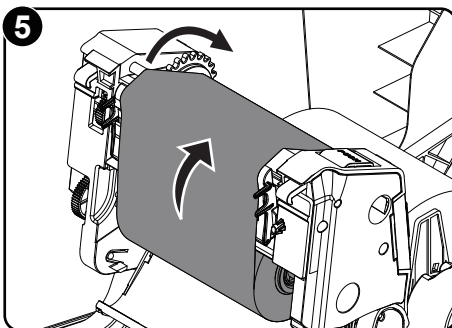
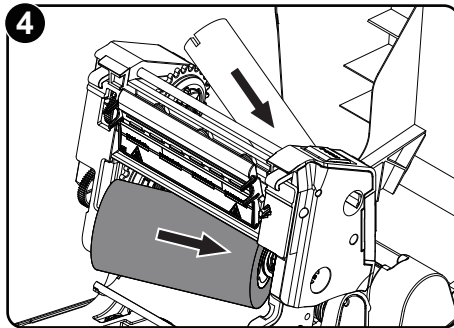
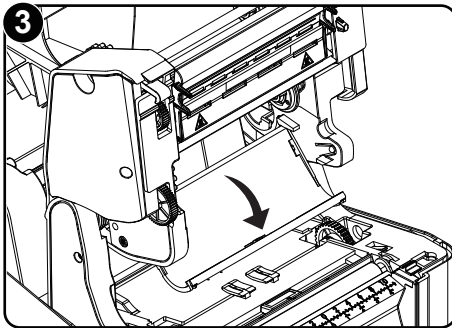
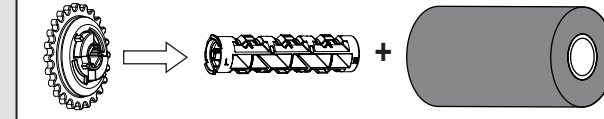
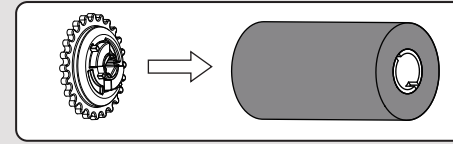
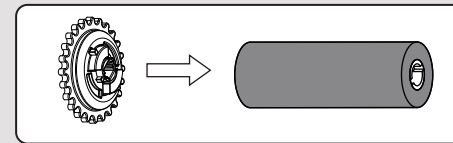
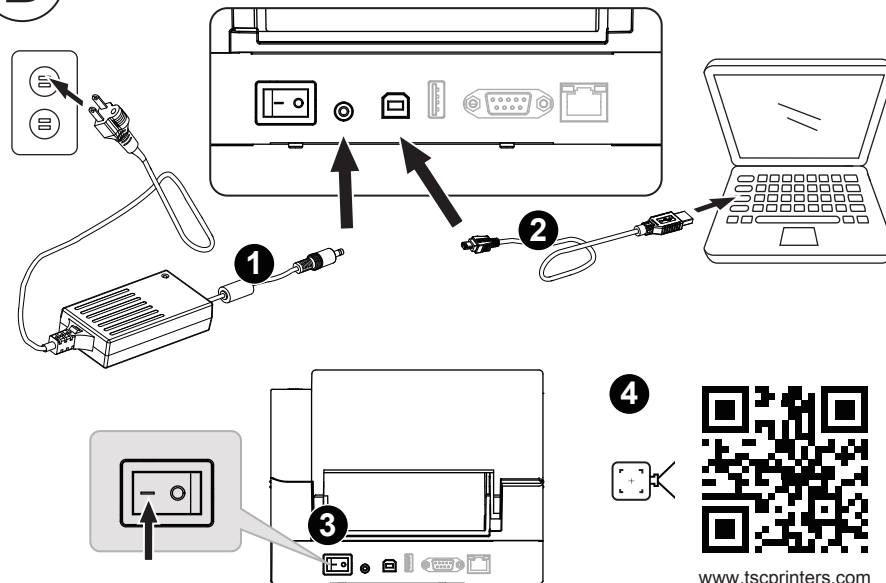


C**1****2****D**

www.tscprinters.com